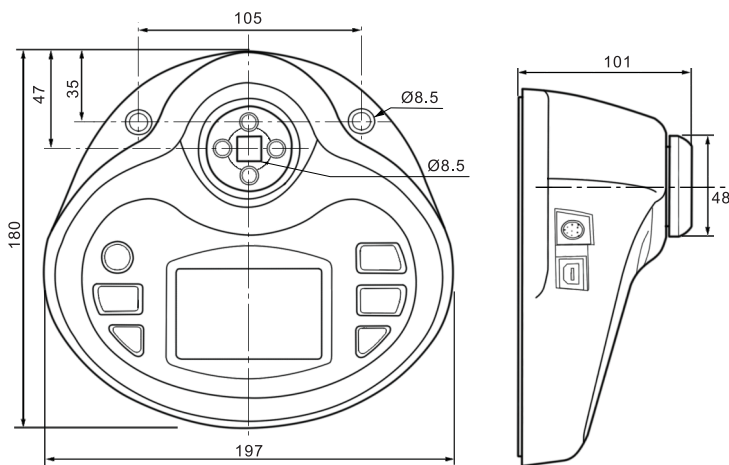


DIGITAL TORQUE METER

SERIES TTB



TTB10



- ◆ For torque wrench and torque screwdriver calibration
- ◆ Peak, preset and real-time working mode
- ◆ Unit: N.m, N.cm, kgf.cm, lbf.cm, lbf.in
- ◆ Memory: 1500
- ◆ Power off automatically
- ◆ With software, can show the torque graph

SPECIFICATION

Code	TTB5	TTB10	TTB50	TTB100
Range	5N.m	10N.m	50N.m	100N.m
Accuracy	±0.3% FS(full scale)			
Resolution	0.001N.m	0.01N.m	0.01N.m	0.1N.m
Size of square drive	1/2", with 1/4" convertor		1/2", with 3/8" convertor	
Output	USB and RS232			
Power	rechargeable battery			
Weight	1.5kg			

INCLUDED ACCESSORY

Main unit	1pc
Charger	1pc
Software with cable	1pc
Convertor	1pc
Buffer connector	1pc

OPTIONAL ACCESSORIES

Wireless printer	PR100
------------------	-------

